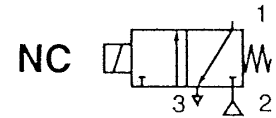


Description:

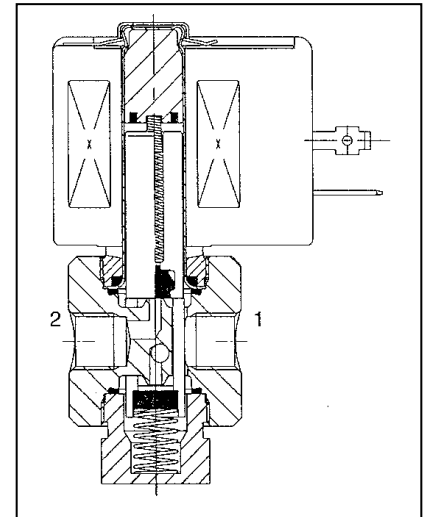
- Directly operated 3/2-way solenoid valve with openings and pipe connectors in the valve body
- The valves do not require a minimum operating pressure
- The valves can be mounted in any position with no functional restrictions


General:

Medium *	Air, gases, water, oil
Pressure difference	See characteristics valve body [1 bar = 100 kPa]
Maximum viscosity	65 cSt (mm ² /s)
Response time	5 to 25ms

Parts in contact with the medium:*

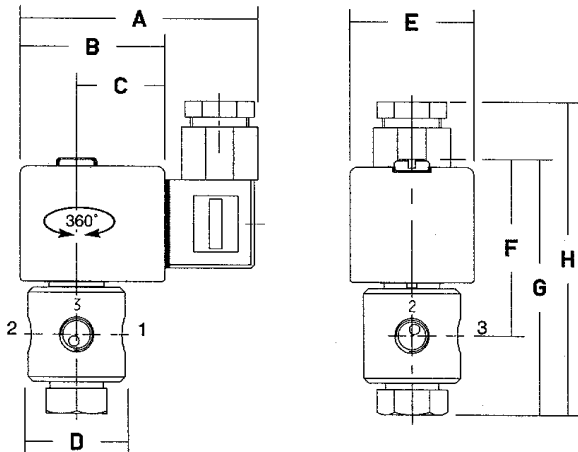
Housing	Brass
Guide pipe	Stainless steel
Armature of magnet and counter-armature	Stainless steel
Springs	Stainless steel
Valve seat	Brass
Valve disc	NBR
End ring	Copper
Insulation class (coil)	F (AC)
Electrical connection	ISO 4400; connector socket
Electrical design	IEC 335



* The resistance of the parts in contact with the medium must be checked separately.



Type 7



3/2-way solenoid valve, normally closed, directly operated, 230 V, 50 to 60 Hz

Art. No.	Type No.	Thread	DN	A	B	C	D	E	F	G	H
				mm	mm	mm	mm	mm	mm	mm	mm
102963	MV 3211	Rp 1/8	2.4	75.0	45.0	27.0	30.0	39.0	56.0	79.0	95.0

3/2-way solenoid valve, normally closed, directly operated, 24 V DC (direct current)

Art. No.	Type No.	Thread	DN	A	B	C	D	E	F	G	H
				mm	mm	mm	mm	mm	mm	mm	mm
102965	MV 3211 G	Rp 1/8	2.4	75.0	45.0	27.0	30.0	39.0	56.0	79.0	95.0

3/2-way solenoid valve, normally closed, directly operated, 230 V, 50 to 60 Hz

Art. No.	Type No.	Thread	Sealant	Operating pressure min. / max. (1) bar	Medium temperature min. / max. (2) °C	Insulation class	Weight kg*
102963	MV 3211	Rp 1/8	NBR	0 / 7	-20 / 90	F	0.400

3/2-way solenoid valve, normally closed, directly operated, 24 V DC (direct current)

Art. No.	Type No.	Thread	Sealant	Operating pressure min. / max. (1) bar	Medium temperature min. / max. (2) °C	Insulation class	Weight kg*
102965	MV 3211 G	Rp 1/8	NBR	0 / 7	-20 / 90	F	0.400

* Inkl. Solenoid and connector

(1) For detailed pressure information each medium, please see characteristics valve body.

(2) At temperatures below zero the medium may freeze and damage the valve.

Characteristics valve body:

Conne ction	Nom. width	Flow coefficient (Kv)		Working pressure difference (bar)						Coil Type No.	Coil Type No.	Solenoid valve Art. No.		
				min.	max.									
					Air		Water		Oil <65cSt					
(mm)	(m ³ /h)	(l/min)	~	=	~	=	~	=	~	=	~	=		
Rp 1/8	2.4	0.10	1.7	0	7	7	7	7	7	7	400-325-117	400-325-142	102963	102965

Electrical data:

Coils (2)

 12V - 24V → Please use the suffix »G« to order **DC valves**

AC (~) 24V/50Hz - 110V/50Hz - 230V/50Hz

(1) At temperatures below zero the medium may freeze and damage the valve.

(2) Other voltages and 60 Hz frequency on request.

Coil Type No	Power				Ambient temperature (1)	Max. perm. operating temperature	Max. perm. temperature rise	Insulation class	Degree of protection (with socket connector fitted)
	Pickup ~	Holding ~		hot / cold =					
		(VA)	(VA)						
400-325-1XX	34.0	15.6	6.0	7 / 9.7	-20 bis 75	155	80	F	IP 65

* Coil temperature after energising

** Additional effect of the medium temperature within the value range stated in the catalogue

*** At 100 % ED

Special versions (on request):

- Seals and valve disc made of FPM, EPDM (ethylene-propylene) and CR (neoprene); PTFE only in conjunction with stainless steel body
- Mounting bracket for valves with a brass body
- Explosion proof body in accordance with ATEX/CENELEC and national standards
- Manual operator
- Socket connector with light emitting diode and protective circuit

Installation:

- Any mounting position
- Threaded connections Rp (ISO 7-1); other threaded connections on request
- Assembly and servicing instructions enclosed with each valve